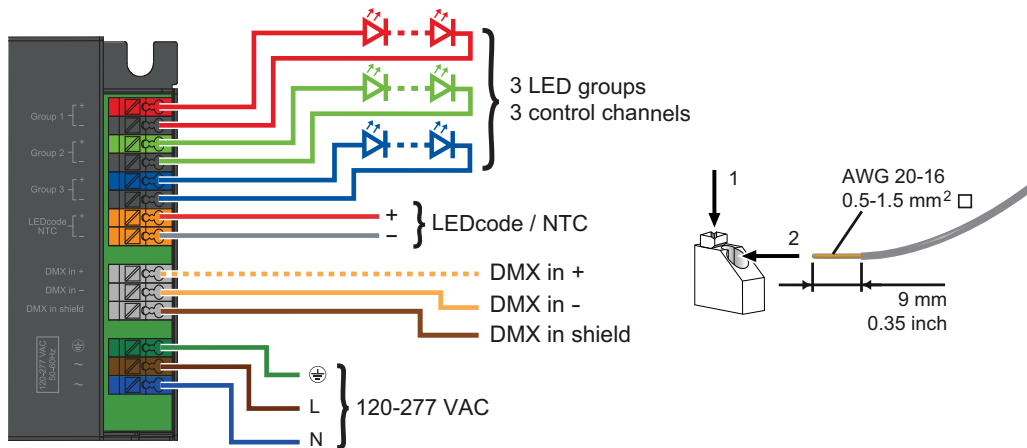


Wiring diagram POWERdrive 562/S, 562/A

(PW0562S1, PW0562A1)



Pay attention when connecting the LED groups:
polarity reversal results in no light output and often damages the LEDs



WARNING: Risk of electrical shock. May result in serious injury or death. Disconnect power before servicing or installing.



CAUTION: The device may only be connected and installed by a qualified electrician. All applicable regulations, legislation and building codes must be observed. Incorrect installation of the device can cause irreparable damage to the device and the connected LEDs.

LED groups

Indicates the location of the connectors for your LED groups. R(ed) represents channel 1, G(reen) represents channel 2 and B(lue) represents channel 3. The default group color allocation can be changed using the TOOLbox pro and freely available FluxTool application.

Maximum wiring distance at full load (from LED driver to LED load):

AWG value	20	19	18	17	16
Distance (m)	14	18	22	28	36
Distance (ft)	45.9	59	72.2	91.9	118.1



Please observe voltage drop over long cable lengths.



Longer cable lengths increase EMI susceptibility.

LEDcode/NTC

The LEDcode/NTC interface allows connection of a 47kΩ NTC thermistor for closed loop thermal control. The NTC throttle temperature is programmable through the freely available FluxTool software (see "Configuring your driver over DMX in").

DMX in

Use these connectors when the driver is used in a DMX network. Connect the network cable's DMX+, DMX- and DMX shielding wire (the orange/white, orange and brown wire in a CAT5 cable) to the DMX in+, DMX in- and DMX in shield connector respectively.

Configuring your driver over DMX in

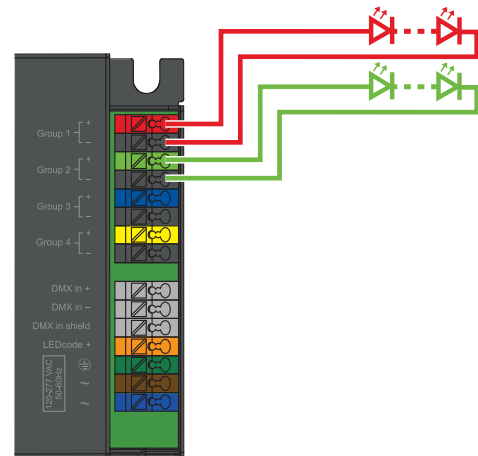
Download the FluxTool software from your eldoLED driver's product web page and connect a TOOLbox pro to DMX in to configure your driver. You can configure:

- Various DMX parameters
- Dimming curve
- Minimum dimming level
- NTC throttle temperature
- LED drive current per output: from 200mA-1,050mA in 1mA steps

120-277 VAC

The driver has been designed for use with universal mains voltage input of 120-277 VAC, 50/60Hz, or with DC input of 120-250V (emergency lighting).

Connecting 2 LED groups



Connecting 1 LED group

