



Light  
is our passion

## 30W 0-10V LED Drivers with Smooth Dimming to 1%

### Input characteristics

Input voltage AC	120-250V (ENEC approved) 120-277V (UL approved)
Input voltage DC	120-250V
Input current	0.35A max
Input frequency	50-60Hz
Efficiency @ full load	/A: 84%, /B: 85% and /S: 85%
Efficiency @ 2/3 load	/A: ≥82%, /B: ≥83% and /S: ≥83%
Power factor @ full load	>0.9
THD @ full load	<20%
Inrush current	negligible: 30mA <sup>2</sup> s @ 277V
Surge protection	2kV DM, 2kV CM
Standby power	<0.5W

### Output characteristics

LED output power	30W max
LED output current range	/A: 200-1,050mA (settable) /B, /S: 200-1,400mA (settable)
LED output current resolution	programmable in 25mA steps
LED output current tolerance	+/- 5%
LED outputs	1 (UL Class 2)
LED output voltage range	2-55V

### Control characteristics

Control channels	1
Dimming protocol	0-10V
Dimming range	100%-1%
Dimming method	Hybrid HydraDrive
Dimming curve	linear or logarithmic
Driver configuration	with TOOLbox pro and FluxTool
0-10V isolation	to line voltage input: 1500V to LED output: 3750V
0-10V current draw	<2mA

### Protection

LED output short	yes
Overload	yes
Reverse polarity	yes, for LED output
Restart after protection	yes

### Product offering



#### ECOdrive 361/A

P/N: EC0361A2

ECOdrive AC, 30W, 0-10V, constant current, 1x 55V output, side feed, plastic long



#### ECOdrive 361/B

P/N: EC0361B2

ECOdrive AC, 30W, 0-10V, constant current, 1x 55V output, bottom feed, metal square

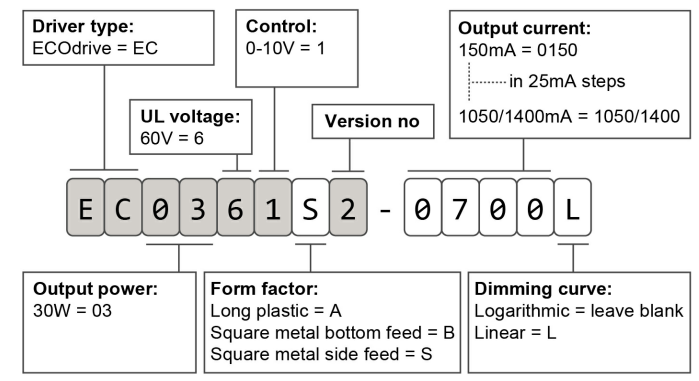


#### ECOdrive 361/S

P/N: EC0361S2

ECOdrive AC, 30W, 0-10V, constant current, 1x 55V output, side feed, metal square

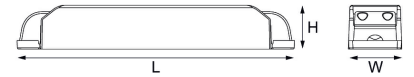
### Order number configuration



## Dimensions, weight and packaging

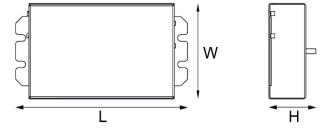
### ECOdrive 361/A

LxWxH	210x40.4x33.5mm / 8.27x1.59x1.32in
Weight	225 g / 7.94 oz
Drivers per carton	50 pcs



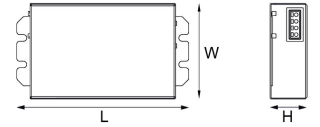
### ECOdrive 361/B

LxWxH	130x72x34.4mm / 5.12x2.83x1.35in
Weight	285.5 g / 10.07 oz
Drivers per carton	40 pcs



### ECOdrive 361/S

LxWxH	130x72x28mm / 5.12x2.83x1.10in
Weight	285.5 g / 10.07 oz
Drivers per carton	40 pcs



## Standards and certifications

### Standards compliance

EN	61347-1/-2-7/-2-13, 62384, 55015, 55022, 61000-3-2, 61547
UL, Recognized Component	UL 1310, UL 8750 (Class 2 output) Type TL LED driver
FCC	47 CFR Part 15 class B
RoHS	RoHS2

### Certifications



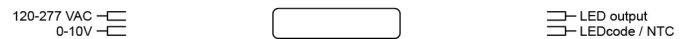
Remarks RCM certification is pending

## Wiring Specifications

Wire type	AWG 20-16, 0.5-1.5mm <sup>2</sup> solid or stranded copper
Wire strip length	9mm / 0.35in

## Wiring diagrams

### ECOdrive 361/A



### ECOdrive 361/B



### ECOdrive 361/S



## Thermal protection

External NTC thermistor	throttling @ 70 °C / 158 °F (settable)
External thermistor value	47kΩ
Recommended thermistors	238164063473 (leaded) NTCASCWE3473J (screw)

## Thermal specification

Ta operating range	-20°C ... +50°C / -4°F ... +122°F
Tc max	/A: 85°C/185°F, /B, /S: 80°C/176°F
Tc lifetime	/A: 80°C/176°F, /B, /S: 75°C/167°F
Type TL	/A: @1050mA: Tref 56°C, max 76°C /B /S: @1400mA: Tref 54°C, max 81°C

## Warranty

Warranty period	3 years
-----------------	---------