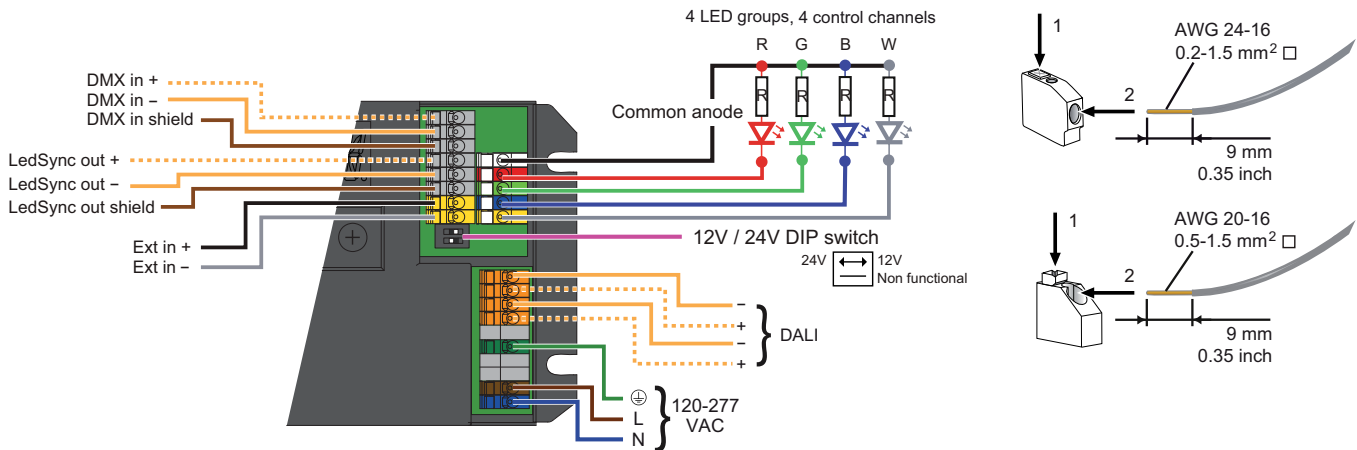
 Pay attention when connecting the LED groups:
polarity reversal results in no light output and often damages LEDs.



WARNING: Risk of electrical shock. May result in serious injury or death. Disconnect power before servicing or installing.



CAUTION: The device may only be connected and installed by a qualified electrician. All applicable regulations, legislation and building codes must be observed. Incorrect installation of the device can cause irreparable damage to the device and the connected LEDs.

120-277VAC

The driver accepts a universal mains voltage input of 120-277VAC, 50/60Hz.

DALI

Use these connectors to connect the driver to a DALI network. Always combine a DA+ and DA- connector for either data input or data output.

DMX in/LedSync out

Use these connectors when the driver is used in a DMX network. For DMX in, connect the network cable's DMX+, DMX- and DMX shielding wire (the orange/white, orange and brown wire in a CAT5 cable) to the DMX in+, DMX in- and DMX in shield connector respectively. For LedSync out, connect the network cable's DMX+, DMX- and DMX shielding wire to the LedSync out+, LedSync out- and LedSync out shield connector respectively.

LED groups

Indicates the location of the connectors for your LED groups. R(ed) represents channel 1, G(reen) represents channel 2, B(lue) represents channel 3 and W(hite) represents channel 4. One common anode provides the positive supply voltage for all four LED groups. The default group color allocation can be changed over the 3-button user interface.

LED wiring distance

Maximum wiring distance at full load:

AWG value	24	22	21	20	19	18	17	16
Distance (m)	2	3	4	5	6	8	10	13
Distance (ft)	6.6	9.8	13.1	16.4	19.7	26.2	32.8	42.7

Ext in

You have the possibility to connect an external control device (0-10V control device, 10kΩ potentiometer or show selection switch) to the driver's Ext in+ and Ext in- connectors. Configure the driver for use with an external control device over the 3-button user interface.

12-24V DIP switch

Set DIP switch 1 to ON when you're connecting a 24V LED strip; set DIP switch 1 to OFF when you're connecting a 12V LED strip. (DIP switch 2 is not used.)

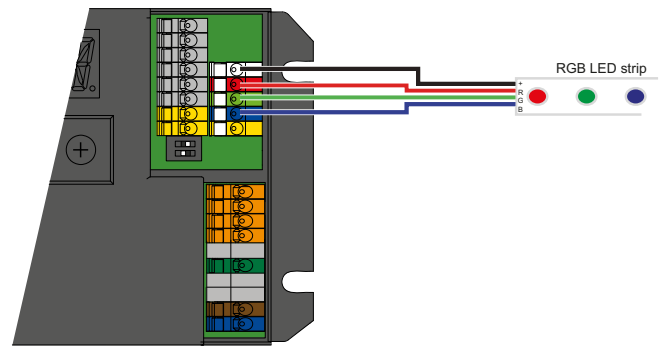
Warning: setting DIP switch 1 to ON for use with 24V LEDs and subsequently connecting 12V LEDs can damage the LEDs!

Connecting an RGB LED strip

Maximum current per output at 12V: 2.77A
 Maximum current per output at 24V: 1.33A

Configuration of the LED groups:

Press M and + simultaneously, in the LED menu choose RGB and save by pressing M.

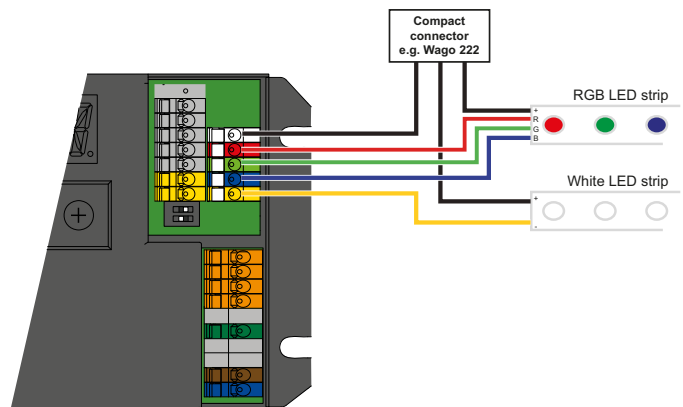


Connecting an RGB strip and a white LED strip

Maximum current per output at 12V: 2A
 Maximum current per output at 24V: 1A

Configuration of the LED groups:

Press M and + simultaneously, in the LED menu choose RGBW and save by pressing M.

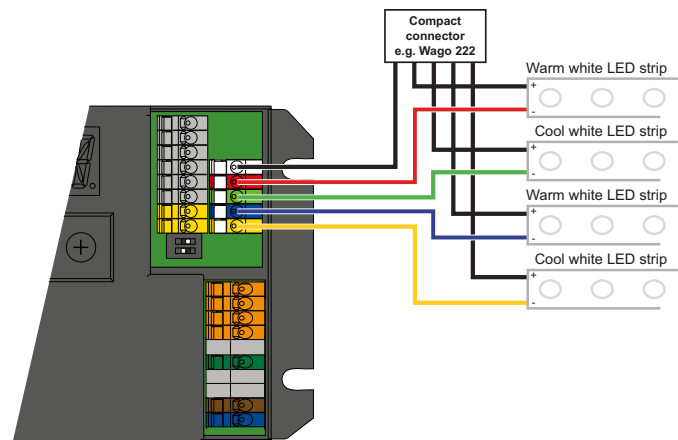


Connecting warm white and cool white LED strips

Maximum current per output at 12V: 2A
 Maximum current per output at 24V: 1A

Configuration of the LED groups:

Press M and + simultaneously, in the LED menu choose 4-4L and save by pressing M.



Connecting four white or self-colored LED strips

Maximum current per output at 12V: 2A
 Maximum current per output at 24V: 1A

Configuration of the LED groups:

Press M and + simultaneously, in the LED menu choose 1-4L and save by pressing M.

