

24V - 32V DC IN

To connect the driver to a PSU, connect the PSU's positive voltage supply wire to the voltage supply (V sup) screw terminal and the negative voltage supply wire to the ground (GND) screw terminal.

External/remote switch

You can connect an external/remote, momentary-action push-button switch to the voltage supply (V sup) and switch (SW) screw terminal. You can use this switch to flip through the available shows.

Jumper block

These jumper blocks allow you to set the output current for every channel. It is possible to set a different current per jumper block i.e. channel:

- No jumper: 350mA
- Jumper: 700mA

LED groups

Indicates the location of the screw terminals to which you can connect your LED groups. R(ed) represents channel 1, G(reen) represents channel 2, B(lue) represents channel 3 and W(hite) represents channel 4. This default group color allocation can be changed using Toolbox parameters 80 through 83 ("Group R/G/B/W channel mapping").

DIP switch

Use this DIP switch to enable or disable termination. Set DIP switch 1 to ON to enable 120Ω termination; set DIP switch 1 to OFF to disable termination.

LedSync/DMX IN

For data input, connect your network cable's data+, data- and shielding wire (the orange/white, orange and brown wire in a Cat5 cable) to the I+, I- and Shield screw terminal respectively.

LedSync OUT

For data output, connect your network cable's data+, data- and shielding wire (the orange/white, orange and brown wire in a Cat5 cable) to the O+, O- and Shield screw terminal respectively.

Mounting holes

The driver features screw holes suited for M3 and M4 screws. Secure the driver with at least one screw on each side of the driver.

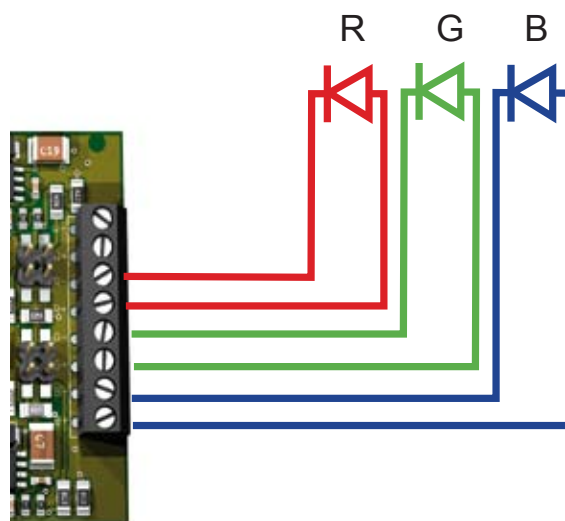
Thermal feedback

You can connect a negative temperature coefficient (NTC) for feedback about the driver's or LEDs' temperature. connect the sensor to the temperature sensor (T) and temperature ground (Tgnd) screw terminal.

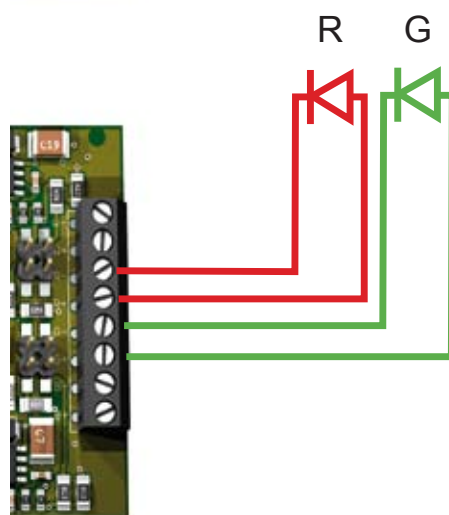
Onboard switch

Momentary-action push-button switch that allows you to flip through the available shows. Pushing the switch makes contact.

Connecting 3 LED groups to a 4-channel LM-Dot Pico



Connecting 2 LED groups to a 4-channel LM-Dot Pico



Connecting 1 LED group to a 4-channel LM-Dot Pico

