

12V-28V DC IN

To connect the driver/controller to a PSU, connect the PSU's positive voltage supply wire to the VDC+ connector and its negative voltage supply wire to the VDC- connector.

DALI in/out

Use these connectors when the driver/controller is used in a DALI network. For data input, connect the network cable's data+ and data- wire to the DALI in + and DALI in - connector respectively. For data output, connect the network cable's data+ and data- wire to the DALI out + and DALI out - connector respectively.

DMX in/LedSync out

Use these connectors when the driver/controller is used in a DMX network. For data input, connect the network cable's data+, data- and shielding wire (the orange/white, orange and brown wire in a CAT5 cable) to the DMX in+, DMX in- and DMX in shield connector. For data output, connect the network cable's data+, data- and shielding wire (the orange/white, orange and brown wire in a CAT5 cable) to the LedSync out +, LedSync out - and LedSync shield connector.

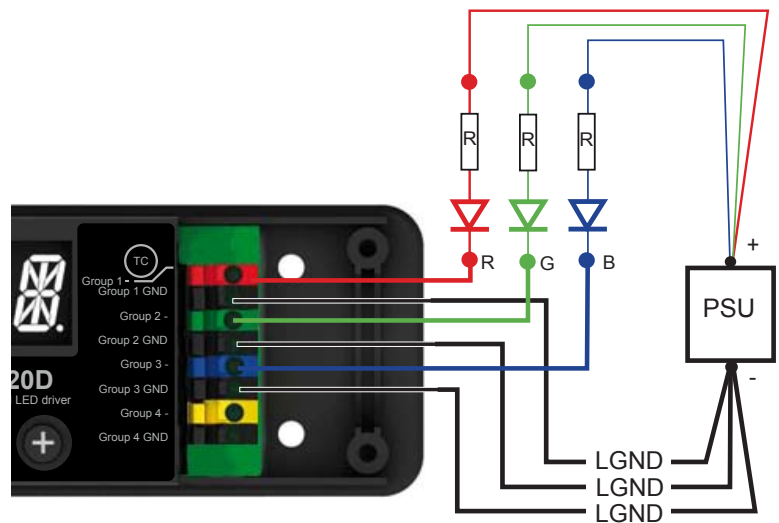
EXT in

Connect an external control device (0..10V control device, 10kΩ potentiometer or show selection switch) to the driver/controller by connecting the device's positive lead to the EXT in + connector and its negative lead to the EXT in - connector.

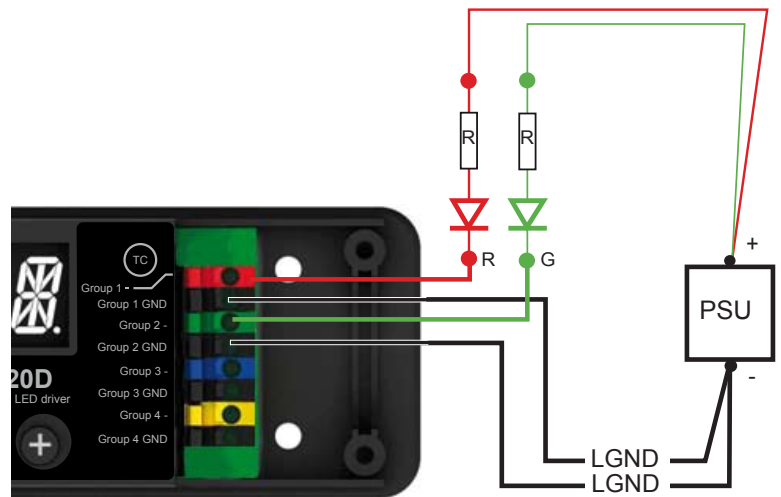
LED groups

Connect your LED groups to these connectors. R(ed) represents group 1, G(reen) represents group 2, B(lue) represents group 3, W(hite) represents group 4.

Connecting 3 LED groups



Connecting 2 LED groups



Connecting 1 LED group

