



### 12V - 28V DC IN

To connect the driver/controller to a 12-28V DC power supply unit (PSU), connect the PSU's positive voltage supply wire to the VDC+ connector and the PSU's negative voltage supply wire to the VDC- connector.

### EXT in (optional)

You have the possibility to connect an external control device (0-10V control device, 10kΩ potentiometer or show selection switch) to the driver/controller's Ext in+ and Ext in- connector. Configure the driver/controller for use with an external control device over the 3-button user interface.

### DMX in/LedSync thru (optional)

Use these connectors when the driver/controller is used in a DMX network.

For DMX in, connect the network cable's DMX+, DMX- and DMX shielding wire (the orange/white, orange and brown wire in a CAT5 cable) to the DMX in+, DMX in- and DMX in shield connector respectively.

For LedSync thru, connect the network cable's data+, data- and shielding wire to the LedSync thru+, LedSync thru- and LedSync shield connector respectively.

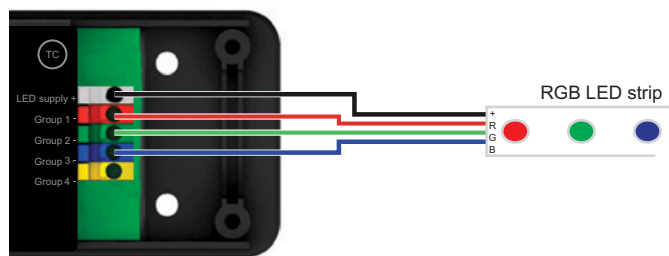
### LED groups

Indicates the location of the connectors to which you can connect your LED groups. R(ed) represents channel 1, G(reen) represents channel 2, B(lue) represents channel 3 and W(hite) represents channel 4. The default group color allocation can be changed over the 3-button user interface.

**Connecting an RGB LED strip**

Maximum current per output at 12V: 2A  
 Maximum current per output at 24V: 1.3A

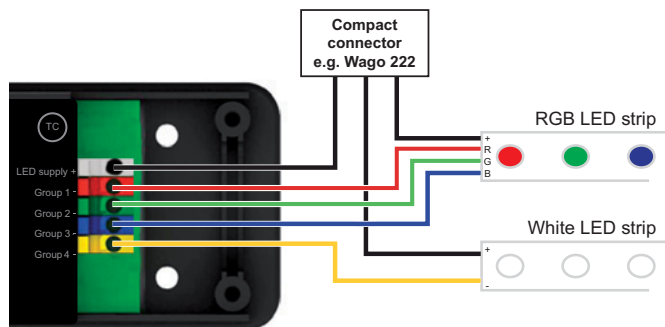
Configuration of the LED groups:  
 Press M and + simultaneously, in the LED menu choose RGB and save this setting by pressing M.



**Connecting an RGB strip and a white LED strip**

Maximum current per output at 12V: 1.5A  
 Maximum current per output at 24V: 1A

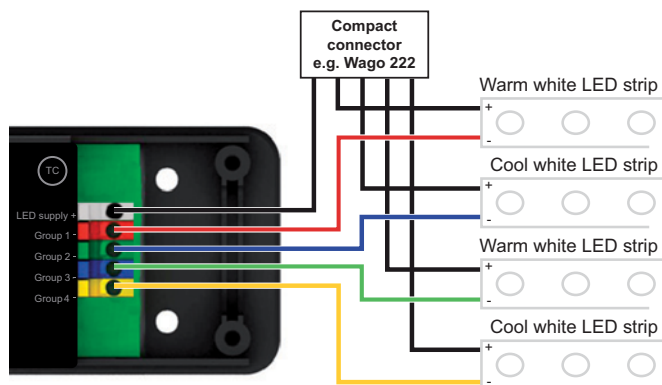
Configuration of the LED groups:  
 Press M and + simultaneously, in the LED menu choose RGBW and save this setting by pressing M.



**Connecting warm white and cool white LED strips**

Maximum current per output at 12V: 1.5A  
 Maximum current per output at 24V: 1A

Configuration of the LED groups:  
 Press M and + simultaneously, in the LED menu choose 4-4L and save this setting by pressing M.



**Connecting four white or self-colored LED strips**

Maximum current per output at 12V: 1.5A  
 Maximum current per output at 24V: 1A

Configuration of the LED groups:  
 Press M and + simultaneously, in the LED menu choose 1-4L and save this setting by pressing M.

